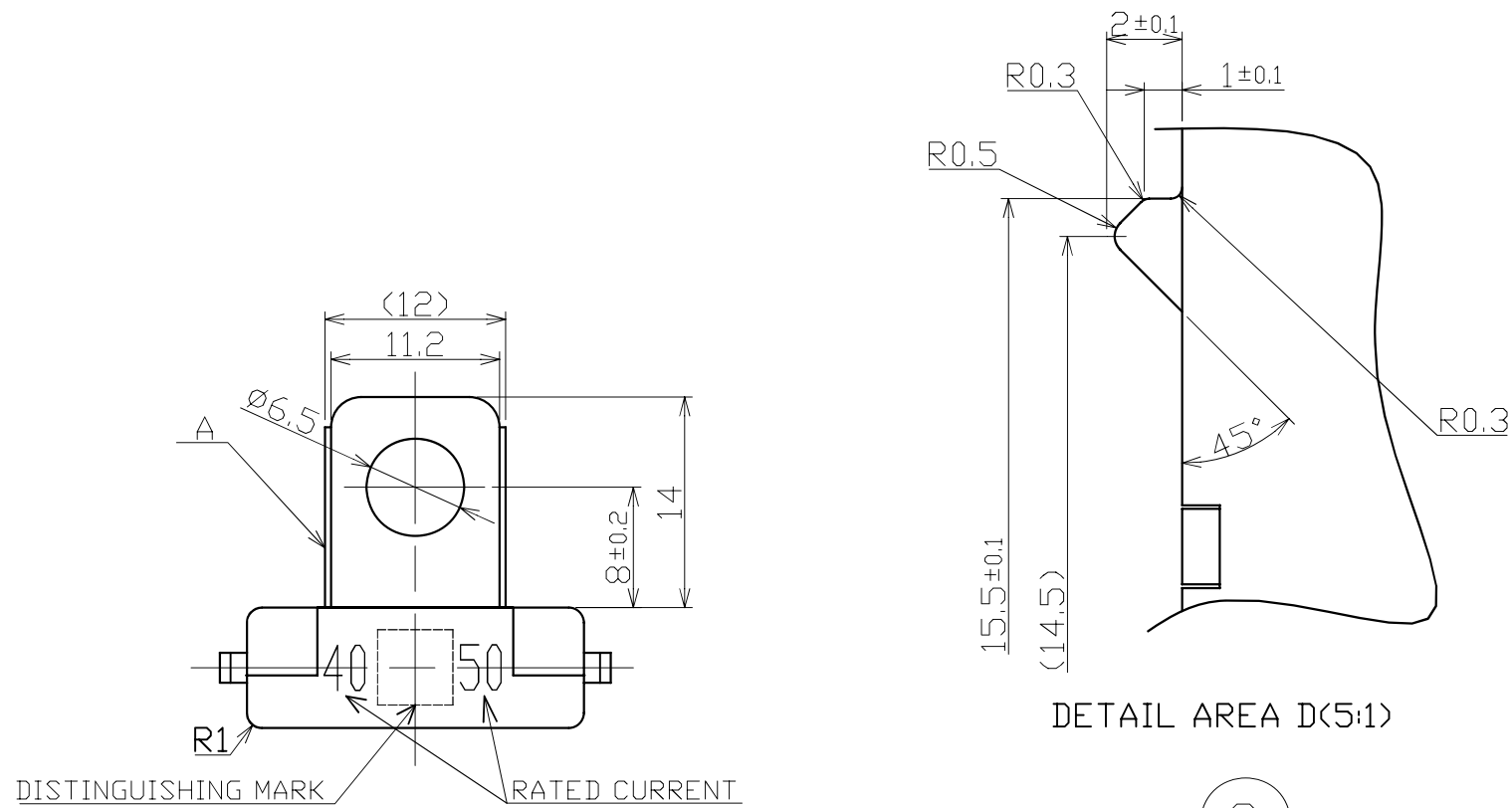
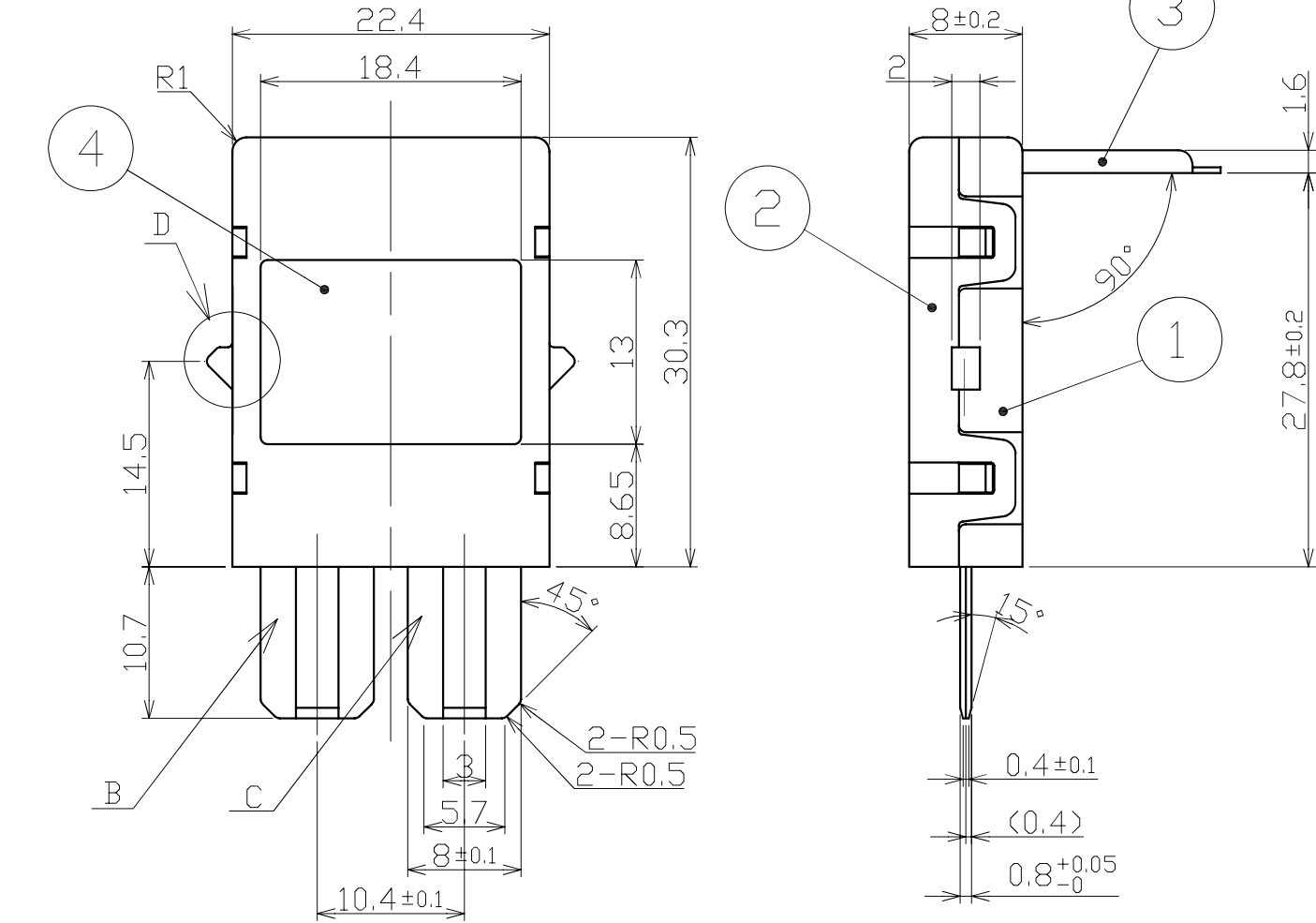


NO.	DATE	REVISION RECORDS	REVISED	REVISION NO.
△	'11.03.25	ADDITION OF 40A/40A	KAWASE	-
△	'13.01.24	PART NAME CHANGE	HARA	-
△	'14.01.22	ADDITION OF 20A/20A	KAWASE	-

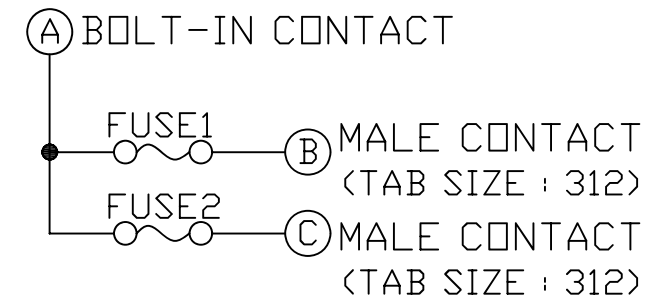


< FUSE RATING >

	FUSE1	FUSE2	DISTINGUISHING MARK	PART NUMBER
1	40A	50A	■□	35900001
2	50A	50A	■□	35910001
3	30A	30A	■□	35920001
4	30A	40A	■□	35930001
5	60A	50A	■□	35940001
6	40A	20A	■□	35950001
7	30A	50A	■□	36260001
△ 8	40A	40A	■□	36280001
△ 9	20A	20A	■□	35730001



< CIRCUIT DIAGRAM >



NOTE

1. THIS DRAWING SHOWS 35900000. THE OTHER SHALL BE CONFORMED WITH THE TABLE 1.

4	-	COVER	1	PAR		PURPLE
3	-	ELEMENT	1	COPPER ALLOY	t0.8	
2	-	HOUSING2	1	PA6T		BLACK
1	-	HOUSING 1	1	PA6T		BLACK
NO.	PART NO.	PART NAME	Q'TY	MATERIAL	SIZE	REMARKS

APPROVED	<i>Ch. Oata</i>	DIMENSION TOLERANCE	ANGULAR TOLERANCE	FINISH
CHECKED	<i>mlu</i>	±0.3	-	-
DESIGNED	<i>F, Kawase</i>	RUST PREVENTION	MATERIAL	
DRAWN	<i>M. Suomasaki</i>	-	SEE TABLE	

SCALE	UNIT	DIAGRAM METHOD	PART NAME
2:1	mm	THIRD ANGLE PROJECTION	△ MUSB-B
DRAWING DATE	DRAWING NAME	3D CAD DATA	PART NO.
22/JAN/14	G3590-0-7	-	SEE TABLE

Pacific Engineering Corporation

SHEET	SIZE
1 / 2	A3

NO.	DATE	REVISION RECORDS	REVISED	REVISION NO.
		REFER TO (1/2)		
		REFER TO (1/2)		
		REFER TO (1/2)		

PACKAGING SPECIFICATION

INNER PACKAGING
PLASTIC BAG (230×285)

OUTER PACKAGING
CARDBOARD BOX
SIZE (390×260×121)

METHOD

1. PUT PRODUCTS INTO PLASTIC BAG.
2. 5 BAGS ARE PUT IN THE CARDBOARD BOX.
3. 3 SEAL THE CARDBOARD BOX WITH PP TAPE AND PUT THE ID TAG ON THE SIDE.

CAPACITY:TYPE E..... 100 PCS.

MARKING

PUT THE ID TAG.

No.***** 現品票

PartNM MUSB-B 40A/50A
工順: 999 工程No.: 100 包装・倉入

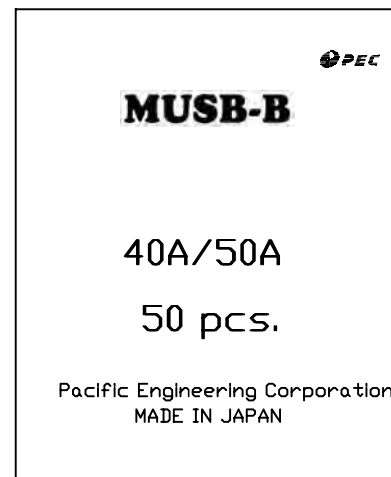
Part No. *****

Lot No. *****-***

QTY *****

完成入庫場所 受渡1班(外?) 【受入番号】 *****
製造 ***** 受入数 ***** 1/1
完成品 ***** 発行: *****
太平洋精工株式会社

INNER PACKAGING DESIGN



NO.	PART NO.	PART NAME	Q'TY	MATERIAL	SIZE	REMARKS
APPROVED	<i>ol. Oato</i>	DIMENSION TOLERANCE	ANGULAR TOLERANCE	FINISH		
CHECKED	<i>ml</i>	REFER TO (1/2)	REFER TO (1/2)	REFER TO (1/2)		
DESIGNED	<i>F, Kawase</i>	RUST PREVENTION	MATERIAL			
DRAWN	<i>M. Sumasaki</i>	REFER TO (1/2)	REFER TO (1/2)			
SCALE	UNIT	DIAGRAM METHOD	PART NAME			
2:1	mm	THIRD ANGLE PROJECTION	MUSB-B			
DRAWING DATE	DRAWING NAME	3D CAD DATA	PART NO.			
22/JAN/14	G3590-0-7	-	SEE TABLE			
Pacific Engineering Corporation					SHEET	SIZE
					2 / 2	A3