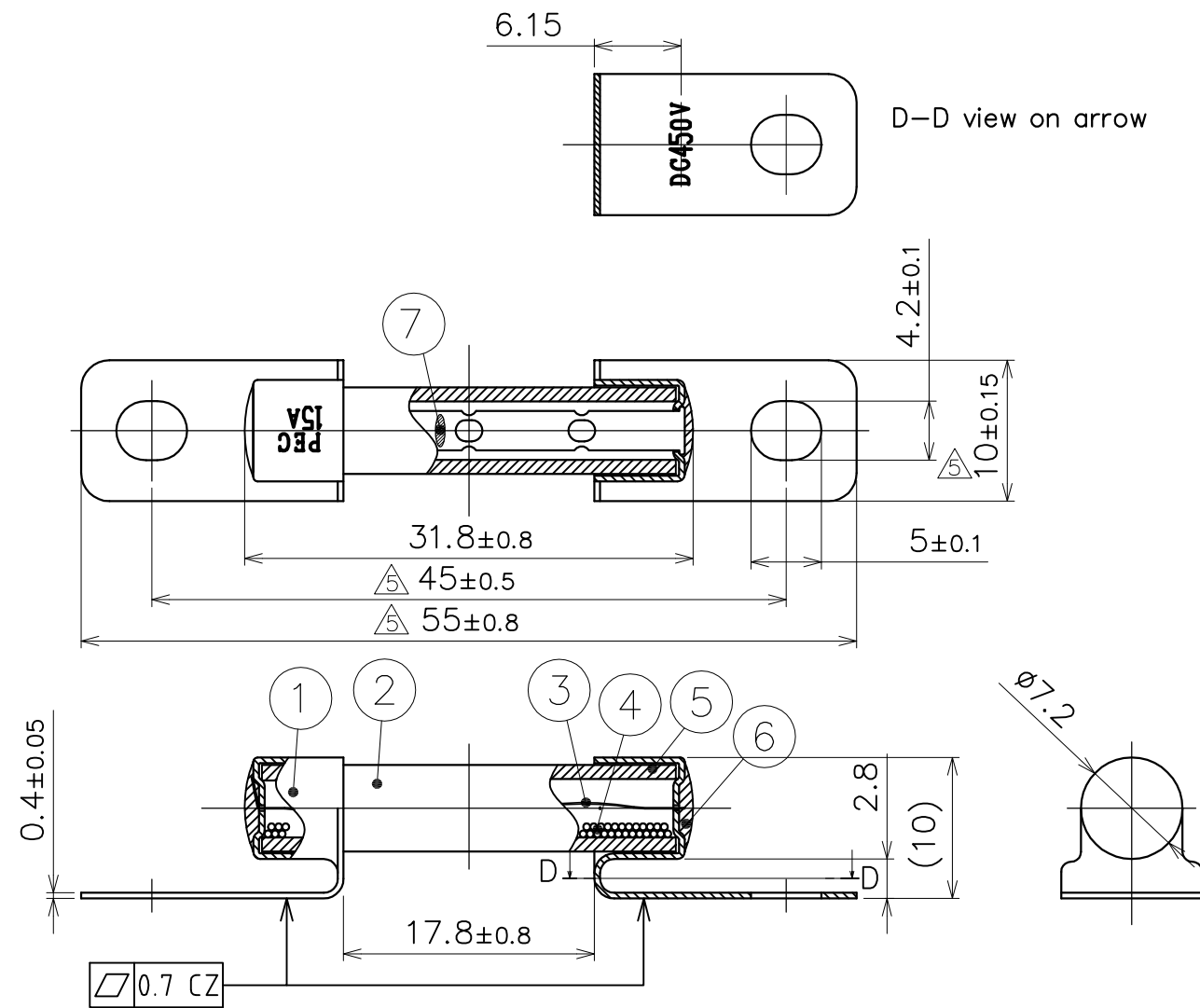


NO.	DATE	REVISION RECORDS	REVISED	REVISION NO.
—	'12.01.11	Newly established.	Miyai	—
△	'12.12.27	Part name change, Delete the Note 2.	Tsuchiya	—
△	'14.09.02	Change the dimension.	Tsuchiya	—



• SPECIFICATIONS

- 1. Rated Current : 15A
- 2. Rated Voltage : 450V DC
- 3. Breaking Capacity : 2000A
- 4. Operating temperature Limit : -40°C~100°C
- 5. Operating humidity Limit : 95% max
- 6. Fixing method : Use two M5 bolts
- 7. Performance : Based on the standard of PES-A52-028

7	—	Sn Alloy	—	Tin Alloy	—	—
6	—	Solder	—	Tin Alloy	—	—
5	—	Adhesive	—	Epoxy Resin	—	—
4	—	Arc-extinguishing Sand	—	Silica	—	—
3	—	Element	1	Copper	—	—
2	—	Case	1	Silica Glass	—	—
1	—	Cap	2	Copper	—	—
NO.	PART NO.	PART NAME	Q'TY	MATERIAL	SIZE	REMARKS



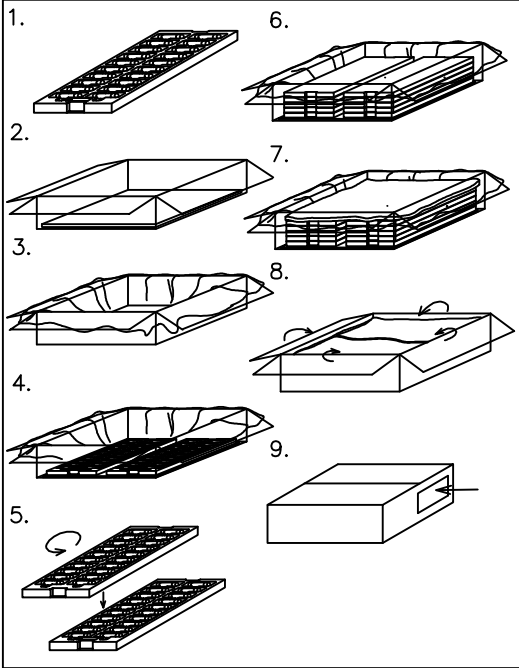
APPROVED	<i>T. Nakagawa</i>	DIMENSION TOLERANCE	ANGULAR TOLERANCE	FINISH
CHECKED	<i>N. Shibata</i>	±0.2	—	—
DESIGNED	<i>Y. Tsuchiya</i>	RUST PREVENTION	MATERIAL	
DRAWN	<i>Y. Tsuchiya</i>	—	SEE TABLE	

SCALE	UNIT	DIAGRAM METHOD	PART NAME
2:1	mm	THIRD ANGLE PROJECTION	EVFG-φ7.2 15A
DRAWING DATE	DRAWING NAME	3D CAD DATA	PART NO.
14/09/02	G2729-0-2	—	27290011

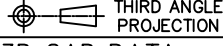
Pacific Engineering Corporation

SHEET	SIZE
1 / 2	A3

Packaging specification

packaging information	Material	Inner packaging Antistatic tray	Outer packaging Cardboard box (320×260×90)
	seal of part no.	—	ID tag
	Marking	—	 <p>No.***** 現品票  PartNM EVFG-φ7.2 15A 工順: 999 工程No.: 100 包装・倉入 Part No. ***** Lot No. *****_* QTY *****</p>
	Capacity	50pcs	300pcs
	Method	<p>1.Fill fuses into the tray for packing. 2.Spread a pad in cardboard box. 3.Spread a PE sheet in cardboard box. 4.Stuff two lines of tray which filled with fuses in cardboard box. 5.Put another tray which filled fuses on 6.Stack 6 layers as process 5. the tray, and it should be turned 180°. 7.Put the air cushion on top of the box and seal it. 8.Wrap it by PE sheet and seal it 9.Put ID tag on the side of cardboard box. 10.Put "Fragile" indication stamp or label on the outside of the box when shipping.</p> 	
Safekeeping condition	No wet. Temperature limit: -40℃~85℃、humidity limit: RH80% max.		

NO.	DATE	REVISION RECORDS	REVISED	REVISION NO.
—	'12.01.11	Newly established.	Miyai	—
△	'12.12.27	Part name change,Delete the Note 2.	Tsuchiya	—
△	'14.09.02	Change the dimension.	Tsuchiya	—

NO.	PART NO.	PART NAME	Q'TY	MATERIAL	SIZE	REMARKS				
APPROVED	<i>T. Nakagawa</i>	DIMENSION TOLERANCE	ANGULAR TOLERANCE	FINISH						
CHECKED	<i>H. Shibata</i>	±0.2	—	—						
DESIGNED	<i>Y. Tsuchiya</i>	RUST PREVENTION	MATERIAL							
DRAWN	<i>Y. Tsuchiya</i>	—	SEE TABLE							
SCALE	UNIT	DIAGRAM METHOD	PART NAME							
2:1	mm	 THIRD ANGLE PROJECTION	EVFG-φ7.2 15A							
DRAWING DATE	DRAWING NAME	3D CAD DATA	PART NO.							
14/09/02	G2729-0-2	—	27290011							
Pacific Engineering Corporation						<table border="1"> <tr> <td>SHEET</td> <td>SIZE</td> </tr> <tr> <td>2 / 2</td> <td>A3</td> </tr> </table>	SHEET	SIZE	2 / 2	A3
SHEET	SIZE									
2 / 2	A3									